



Hollow Cone Spray Nozzles Series

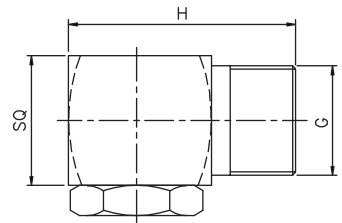
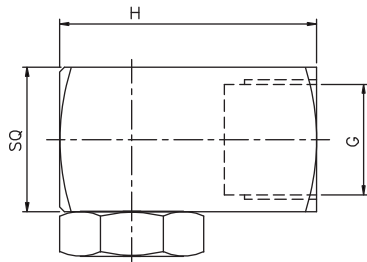


HOLLOW CONE

APPLICATION

- Absorption
- Chemical process engineering
- Cooling
- Disinfection
- Desuperheating
- Dust control
- Fire protection
- Foam destruction
- Gas treatment
- Humidification of air
- Humidification of goods
- Humidification of textiles
- Oil spraying
- Protection of storage tanks
- Spraying onto filters
- Spraying over germinating boxes
- Water recooling
- and many others...

BA Series Hollow Cone Spray Nozzles



Tangential Entry Hollow Cone Standard Angle Spray Nozzles (Non-Clogging) :

Hollow cone spray nozzles work on the tangential flow principle and are manufactured by machine tool operation from metal bar stock. This offers versatile construction of small sized nozzles. In addition nozzles can be made on request from any special material and alloys that are available as a bar stock. This flow pattern is essentially a circular ring of liquid. Hollow cone nozzles are best for application requiring good atomization of liquids at lower pressures or where quick heat transfer is needed. These nozzles also feature large and unobstructed flow passage which provide a relatively high resistance to clogging.

There are Following types of hollow cone nozzles.

- 1) Tangential Entry
- 2) Inline (Axial) Entry
- 3) Spiral Hollow cone.

Characteristic : High resistance to clogging

Design : Vaneless (Two Piece Construction) Non clogging

Application : Cooling & Washing of gas

MODEL NO.	END CONNECTION (G)					Inlet Dia. Nom. (mm)	orifice Dia. nom. (mm)	FLOW CAPACITY IN LPM AT DIFFERENT PRESSURE VALUES								MATERIAL CODE		
	YA	YB	YC	YD	YE			Flow Capacity in GPM	Pressure [bar]								M1/M2	M3
60° SPRAY ANGLE	1/8"BSPT	1/4"BSPT	3/8"BSPT	1/2"BSPT	3/4"BSPT				40*psi	0.5	1.0	2.0	3.0	5.0	7.0	10.0	G/A D IMENSION. MM	
BA14.050	YA					1.1	1.2	0.15	0.25	0.35	0.50	0.61	0.79	0.94	1.12	H	SQ	
BA14.075	YA	YB				1.3	1.4	0.23	0.375	0.53	0.75	0.92	1.19	1.40	1.68	YA	16	
BA14.100	YA	YB				1.6	1.7	0.31	0.5	0.71	1.00	1.22	1.58	1.87	2.24			
BA14.150	YA	YB				1.9	2.1	0.46	0.75	1.06	1.50	1.84	2.37	2.81	3.35	YB		
BA14.175	YA	YB				2.0	2.3	0.54	0.875	1.24	1.75	2.14	2.77	3.27	3.91	35	20	
BA14.200	YA	YB				2.2	2.4	0.61	1.0	1.41	2.00	2.45	3.16	3.74	4.47	Weight (Metals) = 62.0 gms. Approx		
BA14.250	YA	YB				2.5	2.7	0.77	1.25	1.77	2.50	3.06	3.95	4.68	5.59			
BA14.350	YA	YB	YC			2.9	3.2	1.07	1.75	2.47	3.50	4.29	5.53	6.55	7.83			
BA14.400	YA	YB	YC			3.1	3.5	1.23	2.00	2.83	4.00	4.90	6.32	7.48	8.94			
BA14.475	YA	YB	YC			3.4	3.7	1.46	2.37	3.36	4.75	5.82	7.51	8.89	10.62	YC		
BA14.650	YA	YB	YC			4.0	4.4	1.99	3.25	4.60	6.50	7.96	10.28	12.16	14.53	35	20	
BA14.800		YB	YC			4.4	4.9	2.45	4.00	5.66	8.00	9.80	12.65	14.97	17.89	Weight (Metals) = 77.0 gms. Approx		
BA24.100		YB	YC			4.9	5.5	3.07	5.00	7.07	10.00	12.25	15.81	18.71	22.36			
BA24.125			YC			5.5	6.1	3.83	6.25	8.84	12.50	15.31	19.76	23.39	27.95			
BA24.160			YC	YD		6.2	6.9	4.90	8.00	11.31	16.00	19.60	25.30	29.93	35.78			
BA24.200			YC	YD		6.9	7.7	6.13	10.0	14.14	20.00	24.49	31.62	37.42	44.72	YD		
BA24.225				YD		7.4	8.2	6.90	11.25	15.91	22.50	27.56	35.58	42.09	50.31	45	25	
BA24.250				YD	YE	7.8	8.6	7.66	12.5	17.68	25.00	30.62	39.53	46.77	55.90			
BA24.320				YD	YE	8.8	9.8	9.81	16.0	22.63	32.00	39.19	50.60	59.87	71.55			
BA24.400				YD	YE	9.8	10.9	12.26	20.0	28.28	40.00	48.99	63.25	74.83	89.44			
BA24.520					YE	11.2	12.4	15.94	26.0	36.77	52.00	63.69	82.22	97.28	116.0	YE		
BA24.650					YE	12.5	13.9	19.92	32.5	45.96	65.00	79.61	102.0	121.0	145.0	57	32	
BA24.800					YE	13.9	15.4	24.52	40.0	56.57	80.00	97.98	126.0	149.0	178.0	Weight (Metals) = 151.0 gms. Approx		

- X - BSPP, Y - BSPT, Z - NPT, As Required
- BB* Series Stands For Female Connection

- *Flow rate in US GPM @40 psi Pressure
- Special Material on Request

BA Series Hollow Cone Spray Nozzles

BA
BB*

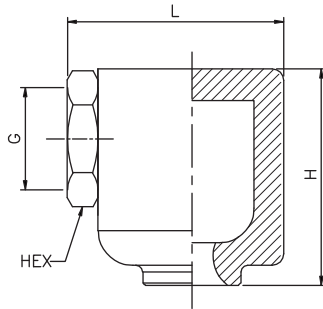
MODEL NO.	END CONNECTION (G)					Inlet Dia. Nom. (mm)	orifice Dia. nom. (mm)	FLOW CAPACITY IN LPM AT DIFFERENT PRESSURE VALUES								MATERIAL CODE				
	YA	YB	YC	YD	YE			Flow Capacity in GPM	Pressure [bar]								M1/M2	M3	P1/P2	
90° SPRAY ANGLE	1/8"BSPT	1/4"BSPT	3/8"BSPT	1/2"BSPT	3/4"BSPT														SS304/SS316	Brass
								40°psi	0.5	1.0	2.0	3.0	5.0	7.0	10.0			H	SQ	
BA16.050	YA					1.1	1.2	0.15	0.25	0.35	0.5	0.61	0.79	0.94	1.12			YA		
BA16.075	YA	YB				1.3	1.4	0.23	0.375	0.53	0.7	0.92	1.19	1.40	1.68			25.5	16	
BA16.100	YA	YB				1.6	1.7	0.31	0.5	0.71	1.00	1.22	1.58	1.87	2.24			Weight (Metals) = 35.0 gms. Approx		
BA16.150	YA	YB				1.9	2.1	0.46	0.75	1.06	1.50	1.84	2.37	2.81	3.35			YB		
BA16.175	YA	YB				2.0	2.3	0.54	0.875	1.24	1.75	2.14	2.77	3.27	3.91			35	20	
BA16.200	YA	YB				2.2	2.4	0.61	1.0	1.41	2.00	2.45	3.16	3.74	4.47			Weight (Metals) = 62.0 gms. Approx		
BA16.250	YA	YB				2.5	2.7	0.77	1.25	1.77	2.50	3.06	3.95	4.68	5.59					
BA16.350	YA	YB	YC			2.9	3.2	1.07	1.75	2.47	3.50	4.29	5.53	6.55	7.83					
BA16.400	YA	YB	YC			3.1	3.5	1.23	2.00	2.83	4.00	4.90	6.32	7.48	8.94					
BA16.475	YA	YB	YC			3.4	3.7	1.46	2.37	3.36	4.75	5.82	7.51	8.89	10.62			YC		
BA16.650	YA	YB	YC			4.0	4.4	1.99	3.25	4.60	6.50	7.96	10.28	12.16	14.53			35	20	
BA16.800		YB	YC			4.4	4.9	2.45	4.00	5.66	8.00	9.80	12.65	14.97	17.89			Weight (Metals) = 77.0 gms. Approx		
BA26.100		YB	YC			4.9	5.5	3.07	5.00	7.07	10.00	12.25	15.81	18.71	22.36					
BA26.125			YC			5.5	6.1	3.83	6.25	8.84	12.50	15.31	19.76	23.39	27.95					
BA26.160			YC	YD		6.2	6.9	4.90	8.00	11.31	16.00	19.60	25.30	29.93	35.78					
BA26.200			YC	YD		6.9	7.7	6.13	10.0	14.14	20.00	24.49	31.62	37.42	44.72			YD		
BA26.225				YD		7.4	8.2	6.90	11.25	15.91	22.50	27.56	35.58	42.09	50.31			45	25	
BA26.250				YD	YE	7.8	8.6	7.66	12.5	17.68	25.00	30.62	39.53	46.77	55.90			Weight (Metals) = 110.0 gms. Approx		
BA26.320				YD	YE	8.8	9.8	9.81	16.0	22.63	32.00	39.19	50.60	59.87	71.55					
BA26.400				YD	YE	9.8	10.9	12.26	20.0	28.28	40.00	48.99	63.25	74.83	89.44					
BA26.520					YE	11.2	12.4	15.94	26.0	36.77	52.00	63.69	82.22	97.28	116			YE		
BA26.650					YE	12.5	13.9	19.92	32.5	45.96	65.00	79.61	102.77	121	145			57	32	
BA26.800					YE	13.9	15.4	24.52	40.0	56.57	80.00	97.98	126.49	149	178			Weight (Metals) = 151.0 gms. Approx		

MODEL NO.	END CONNECTION (G)					Inlet Dia. Nom. (mm)	orifice Dia. nom. (mm)	FLOW CAPACITY IN LPM AT DIFFERENT PRESSURE VALUES								MATERIAL CODE				
	YA	YB	YC	YD	YE			Flow Capacity in GPM	Pressure [bar]								M1/M2	M3	P1/P2	
120° SPRAY ANGLE	1/8"BSPT	1/4"BSPT	3/8"BSPT	1/2"BSPT	3/4"BSPT														SS304/SS316	Brass
								40°psi	0.5	1.0	2.0	3.0	5.0	7.0	10.0			H	SQ	
BA18.050	YA					1.1	1.2	0.15	0.25	0.35	0.5	0.61	0.79	0.94	1.12			YA		
BA18.075	YA	YB				1.3	1.4	0.23	0.375	0.53	0.7	0.92	1.19	1.40	1.68			25.5	16	
BA18.100	YA	YB				1.6	1.7	0.31	0.5	0.71	1.00	1.22	1.58	1.87	2.24			Weight (Metals) = 35.0 gms. Approx		
BA18.150	YA	YB				1.9	2.1	0.46	0.75	1.06	1.50	1.84	2.37	2.81	3.35			YB		
BA18.175	YA	YB				2.0	2.3	0.54	0.875	1.24	1.75	2.14	2.77	3.27	3.91			35	20	
BA18.200	YA	YB				2.2	2.4	0.61	1.0	1.41	2.00	2.45	3.16	3.74	4.47			Weight (Metals) = 62.0 gms. Approx		
BA18.250	YA	YB				2.5	2.7	0.77	1.25	1.77	2.50	3.06	3.95	4.68	5.59					
BA18.350	YA	YB	YC			2.9	3.2	1.07	1.75	2.47	3.50	4.29	5.53	6.55	7.83					
BA18.400	YA	YB	YC			3.1	3.5	1.23	2.00	2.83	4.00	4.90	6.32	7.48	8.94					
BA18.475	YA	YB	YC			3.4	3.7	1.46	2.37	3.36	4.75	5.82	7.51	8.89	10.62			YC		
BA18.650	YA	YB	YC			4.0	4.4	1.99	3.25	4.60	6.50	7.96	10.28	12.16	14.53			35	20	
BA18.800		YB	YC			4.4	4.9	2.45	4.00	5.66	8.00	9.80	12.65	14.97	17.89			Weight (Metals) = 77.0 gms. Approx		
BA28.100		YB	YC			4.9	5.5	3.07	5.00	7.07	10.00	12.25	15.81	18.71	22.36					
BA28.125			YC			5.5	6.1	3.83	6.25	8.84	12.50	15.31	19.76	23.39	27.95					
BA28.160			YC	YD		6.2	6.9	4.90	8.00	11.31	16.00	19.60	25.30	29.93	35.78					
BA28.200			YC	YD		6.9	7.7	6.13	10.0	14.14	20.00	24.49	31.62	37.42	44.72			YD		
BA28.225				YD		7.4	8.2	6.90	11.25	15.91	22.50	27.56	35.58	42.09	50.31			45	25	
BA28.250				YD	YE	7.8	8.6	7.66	12.5	17.68	25.00	30.62	39.53	46.77	55.90			Weight (Metals) = 110.0 gms. Approx		
BA28.320				YD	YE	8.8	9.8	9.81	16.0	22.63	32.00	39.19	50.60	59.87	71.55					
BA28.400				YD	YE	9.8	10.9	12.26	20.0	28.28	40.00	48.99	63.25	74.83	89.44					
BA28.520					YE	11.2	12.4	15.94	26.0	36.77	52.00	63.69	82.22	97.28	116			YE		
BA28.650					YE	12.5	13.9	19.92	32.5	45.96	65.00	79.61	102	121	145			57	32	
BA28.800					YE	13.9	15.4	24.52	40.0	56.57	80.00	97.98	126	149	178			Weight (Metals) = 151.0 gms. Approx		

• BB* Series Stands For Female Connection

BC Series Hollow Cone Spray Nozzles

BC



Fine uniform hollow cone spray also at low pressures.

Application:

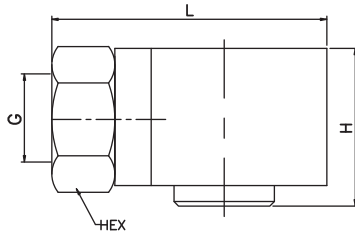
Cooling and cleaning of gas, Water re-cooling, Dust control, Chemical process engineering .

MODEL NO.	CONNECTION END				ORIFICE SIZE (mm)	FLOW CAPACITY IN LPM AT DIFFERENT PRESSURE VALUES								MATERIAL CODE		
	XF	XH	XK	XL		Flow Capacity in GPM	Pressure [bar]								M1/M2	M3
75° SPRAY ANGLE	1"BSPP	1 1/2"BSPP	2"BSPP	2 1/2"BSPP			40*psi	0.5	1.0	2.0	3.0	5.0	7.0	10.0	G/A D IMENSION. MM	
							H	L	HEX							
BC25.050	XF				10.5	15.33	25.0	35.36	50.00	61.24	79.06	93.54	111.80	XF		
BC25.063	XF				11.8	19.31	31.5	44.55	63.00	77.16	99.61	117.86	140.87	60	75	46
BC25.080	XF				13.3	24.52	40.0	56.57	80.00	97.98	126.49	149.67	178.89			
BC35.100	XF				14.9	30.65	50.0	70.71	100.0	122.47	158.11	187.08	223.61			
BC35.118		XH			16.2	36.17	59.0	83.44	118.0	144.52	186.57	220.76	263.86	XH		
BC35.130		XH			17.0	39.85	65.0	91.92	130.0	159.22	205.55	243.21	290.69	90	92	60
BC35.160		XH			18.8	49.05	80.0	113.14	160.0	195.96	252.98	299.33	357.77			
BC35.200		XH			21.1	61.31	100	141.42	200.0	244.95	316.23	374.17	447.21			
BC35.227		XH			22.4	69.58	113.5	160.51	227.0	278.02	358.92	424.68	507.59	XK		
BC35.337			XK		27.4	103.30	168.5	238.29	337.0	412.74	532.84	630.47	753.55	127	118	80
BC35.469			XK		32.3	143.77	234.5	331.63	469.0	574.41	741.55	877.42	1048.72	XL		
BC35.540				XL	34.6	165.53	270	381.84	540.0	661.36	853.81	1010.25	1207.48	156	140	100

MODEL NO.	CONNECTION END				ORIFICE SIZE (mm)	FLOW CAPACITY IN LPM AT DIFFERENT PRESSURE VALUES								MATERIAL CODE		
	XF	XH	XK	XL		Flow Capacity in GPM	Pressure [bar]								M1/M2	M3
90° SPRAY ANGLE	1"BSPP	1 1/2"BSPP	2"BSPP	2 1/2"BSPP			40*psi	0.5	1.0	2.0	3.0	5.0	7.0	10.0	G/A D IMENSION. MM	
							H	L	HEX							
BC26.050	XF				10.5	15.33	25.0	35.36	50.0	61.24	79.06	93.54	111.80	XF		
BC26.063	XF				11.8	19.31	31.5	44.55	63.0	77.16	99.61	117.86	140.87	60	75	46
BC26.080	XF				13.3	24.52	40.0	56.57	80.0	97.98	126.49	149.67	178.89			
BC36.100	XF				14.9	30.65	50.0	70.71	100	122	158.11	187.08	223.61			
BC36.118		XH			16.2	36.17	59.0	83.44	118	144	186.57	220.76	263.86	XH		
BC36.130		XH			17.0	39.85	65.0	91.92	130	159	205.55	243.21	290.69	90	92	60
BC36.160		XH			18.8	49.05	80.0	113	160	195	252.98	299.33	357.77			
BC36.200		XH			21.1	61.31	100	141	200	244	316.23	374.17	447.21			
BC36.227		XH			22.4	69.58	113.5	160.51	227	278.02	358.92	424.68	507.59	XK		
BC36.337			XK		27.4	103.30	168.5	238.29	337	412.74	532.84	630.47	753.55	127	118	80
BC36.469			XK		32.3	143.77	234.5	331.63	469	574.41	741.55	877.42	1048.72	XL		
BC36.540				XL	34.6	165.53	270	381.84	540	661.36	853.81	1010	1207	156	140	100

BD Series Hollow Cone Spray Nozzles

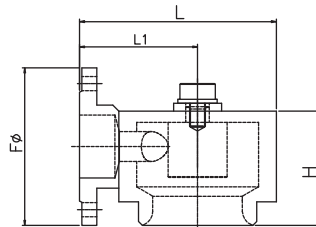
BD



MODEL NO.	CONNECTION END				ORIFICE SIZE (mm)	FLOW CAPACITY IN LPM AT DIFFERENT PRESSURE VALUES								MATERIAL CODE			
	XF	XH	XK	XL		Flow Capacity in GPM	Pressure [bar]								M1/M2	M3	P1/P2
130° SPRAY ANGLE	1"BSPP	1 1/2"BSPP	2"BSPP	2 1/2"BSPP			40°psi	0.5	1.0	2.0	3.0	5.0	7.0	10.0	SS304/SS316	Brass	PVC/PP
							G/A D IMENSION. MM								H	L	HEX
BD29.050	XF				12.6	15.33	25.0	35.36	50.0	61.24	79.06	93.54	111.80	XF			
BD29.063	XF				14.1	19.31	31.5	44.55	63.0	77.16	99.61	117.86	140.87	60	94	46	
BD29.080	XF				15.9	24.52	40.0	56.57	80.0	97.98	126.49	149.67	178.89				
BD39.100	XF				17.8	30.65	50.0	70.71	100.0	122.47	158.11	187.08	223.61				
BD39.118		XH			19.3	36.17	59.0	83.44	118.0	144.52	186.57	220.76	263.86	XH			
BD39.130		XH			20.3	39.85	65.0	91.92	130.0	159.22	205.55	243.21	290.69	75	112	60	
BD39.160		XH			22.5	49.05	80.0	113.14	160.0	195.96	252.98	299.33	357.77				
BD39.200		XH			25.1	61.31	100	141.42	200.0	244.95	316.23	374.17	447.21				
BD39.227		XH			26.8	69.58	113.5	160.51	227.0	278.02	358.92	424.68	507.59	XK			
BD39.337			XK		32.6	103.30	168.5	238.29	337.0	412.74	532.84	630.47	753.55	90	140	75	
BD39.469			XK		38.5	143.77	234.5	331.63	469.0	574.41	741.55	877.42	1048	XL			
BD39.540				XL	41.3	165.53	270	381.84	540.0	661.36	853.81	1010	1207	127	193	90	

BE

BE Series For Hollow Cone Spray Nozzles LARGE CAPACITY Flange Connection



MODEL NO.	FLANGED CONNECTION	ORIFICE SIZE (mm)	FLOW CAPACITY IN LPM AT DIFFERENT PRESSURE VALUES								MATERIAL CODE				
			Flow Capacity in GPM	Pressure [bar]								M1/M2	M3	P1/P2	
130° SPRAY ANGLE				40°psi	0.5	1.0	2.0	3.0	5.0	7.0	10.0	SS304/SS316	Brass	PVC/PP	
				G/A D IMENSION. MM								FØ	L	L1	H
BE39.510	3"	32.0	15.33	255	360.62	510	624.62	806.38	954.12	1140.39	200	250	150	156	
BE39.571		33.8	19.31	285.5	403.76	571	699.33	902.83	1068.24	1276.79					
BE39.642		35.9	24.52	321	453.96	642	786.29	1015.09	1201.07	1435.56					
BE39.724		38.1	30.65	362	511.95	724	886.72	1144.74	1354.48	1618.91					
BE39.816		40.4	36.17	408	577.00	816	999.39	1290.21	1526.60	1824.63					
BE39.918		42.9	39.85	459	649.12	918	1124.32	1451.49	1717.42	2052.71					
BE49.1020		45.2	49.05	510	721.25	1020	1249.24	1612.76	1908.25	2280.79					
BE49.1262		50.3	61.31	631	892.37	1262	1545.63	1995.40	2360.99	2821.92					
BE49.1616	4"	56.9	69.58	808	1142.68	1616	1979.19	2555.12	3023.26	3613.49	220	354	200	240	
BE49.2020		63.6	103.30	1010	1428.36	2020	2473.98	3193.90	3779.07	4516.86					
BE49.2525		71.2	143.77	1262.5	1785.44	2525	3092.48	3992.38	4723.84	5646.07					
BE49.3181		79.9	165.53	1590.5	2249.31	3181	3895.91	5029.60	5951.11	7112.93					

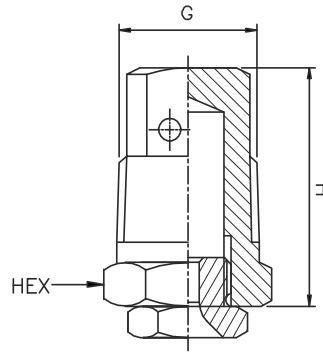
BG Series Inline Entry Hollow Cone Spray Nozzles

BG

Inline Entry Hollow Cone Spray pattern with uniform distribution of finely atomized droplets. Smaller droplets in spray pattern than full cone nozzles of the same capacity at similar pressures.

Design : One piece in-line body with removable orifice tip, two piece construction

Application : Gas Cooling & Cleaning, Spray drying, Desuperheating, Water Cooling, Fugitive Dust suppression.



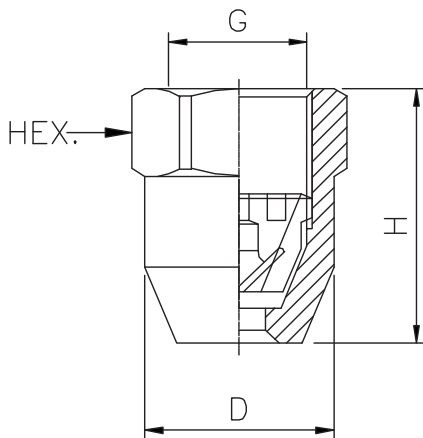
MODEL NO.	END CONNECTION (G)					Inlet Dia. Nom. (mm)	ORIFICE SIZE (mm)	FLOW CAPACITY IN LPM AT DIFFERENT PRESSURE VALUES								MATERIAL CODE				
	YB	YC	YD	YE	YH			Pressure [bar]								M1/M2	M3	P1/P2		
60° SPRAY ANGLE	1/4"BSPT	3/8"BSPT	1/2"BSPT	3/4"BSPT	1 1/2"BSPT			Flow Capacity in GPM										SS304/SS316	Brass	PVC/PP
									40°psi	0.5	1.0	2.0	3.0	5.0	7.0	10.0				
BG14.050						1.2	1.1	0.15	0.25	0.35	0.50	0.61	0.79	0.94	1.12		H	HEX		
BG14.075	YB					1.4	1.3	0.23	0.37	0.53	0.75	0.92	1.19	1.40	1.68		25	14		
BG14.100	YB					1.7	1.6	0.31	0.5	0.71	1.00	1.22	1.58	1.87	2.24		Weight (Metals) = 20.9 gms. Approx			
BG14.150	YB	YC				2.1	2.0	0.46	0.75	1.06	1.50	1.84	2.37	2.81	3.35		YC			
BG14.175	YB	YC				2.2	2.1	0.54	0.87	1.24	1.75	2.14	2.77	3.27	3.91		27	17		
BG14.200	YB	YC				2.4	2.3	0.61	1.00	1.41	2.00	2.45	3.16	3.74	4.47		Weight (Metals) = 33.3 gms. Approx			
BG14.250	YB	YC				2.7	2.5	0.77	1.25	1.77	2.50	3.06	3.95	4.68	5.59					
BG14.350		YC				3.2	3.0	1.07	1.75	2.47	3.50	4.29	5.53	6.55	7.83					
BG14.400		YC				3.4	3.2	1.23	2.00	2.83	4.00	4.90	6.32	7.48	8.94					
BG14.475		YC				3.7	3.5	1.46	2.37	3.36	4.75	5.82	7.51	8.89	10.62					
BG14.650		YC	YD			4.3	4.1	1.99	3.25	4.60	6.50	7.96	10.28	12.16	14.53		YD			
BG14.800		YC	YD			4.8	4.5	2.45	4.00	5.66	8.00	9.80	12.65	14.97	17.89		32.5	22		
BG24.100			YD			5.4	5.1	3.07	5.00	7.07	10.00	12.25	15.81	18.71	22.36		Weight (Metals) = 60.1 gms. Approx			
BG24.125			YD			6.0	5.7	3.83	6.25	8.84	12.50	15.31	19.76	23.39	27.95					
BG24.160			YD			6.8	6.4	4.90	8.00	11.31	16.00	19.60	25.30	29.93	35.78					
75° SPRAY ANGLE																				
BG15.150		YC				2.1	2.0	0.46	0.75	1.06	1.50	1.84	2.37	2.81	3.35		YC			
BG15.175		YC				2.2	2.1	0.54	0.875	1.24	1.75	2.14	2.77	3.27	3.91		27	17		
BG15.200		YC				2.4	2.3	0.61	1.00	1.41	2.00	2.45	3.16	3.74	4.47		Weight (Metals) = 33.3 gms. Approx			
BG15.250		YC				2.7	2.5	0.77	1.25	1.77	2.50	3.06	3.95	4.68	5.59					
BG15.350		YC				3.2	3.0	1.07	1.75	2.47	3.50	4.29	5.53	6.55	7.83					
BG15.400		YC				3.4	3.2	1.23	2.00	2.83	4.00	4.90	6.32	7.48	8.94					
BG15.475		YC	YD			3.7	3.5	1.46	2.37	3.36	4.75	5.82	7.51	8.89	10.62					
BG15.650		YC	YD			4.3	4.1	1.99	3.25	4.60	6.50	7.96	10.28	12.16	14.53					
BG15.800		YC	YD			4.8	4.5	2.45	4.00	5.66	8.00	9.80	12.65	14.97	17.89					
BG15.100			YD	YE		5.4	5.1	3.07	5.00	7.07	10.00	12.25	15.81	18.71	22.36		YE			
BG15.120			YD	YE		6.0	5.7	3.83	6.25	8.84	12.50	15.31	19.76	23.39	27.95		38	27		
BG15.160			YD	YE		6.8	6.4	4.90	8.00	11.31	16.00	19.60	25.30	29.93	35.78		Weight (Metals) = 63.0 gms. Approx			
BG15.200				YE		7.6	7.2	6.13	10.00	14.14	20.00	24.49	31.62	37.42	44.72					
BG15.225				YE		8.1	7.6	6.90	11.25	15.91	22.50	27.56	35.58	42.09	50.31					
BG15.250				YE		8.5	8.0	7.66	12.5	17.68	25.00	30.62	39.53	46.77	55.90					
BG15.320				YE		9.6	9.1	9.81	16.00	22.63	32.00	39.19	50.60	59.87	71.55					
90° SPRAY ANGLE																				
BG26.320					YH	9.6	9.1	9.81	16.00	22.63	32.00	39.19	50.60	59.87	71.55		YH			
BG26.400					YH	10.8	10.1	12.26	20.00	28.28	40.00	48.99	63.25	74.83	89.44		60.5	51		
BG26.520					YH	12.3	11.5	15.94	26.00	36.77	52.00	63.69	82.22	97.28	116.28		Weight (Metals) = 595 gms. Approx			
BG26.650					YH	13.7	12.9	19.92	32.5	45.96	65.00	79.61	102.77	121.60	145.34					
BG26.800					YH	15.2	14.3	24.52	40.00	56.57	80.00	97.98	126.49	149.67	178.89					



Axial hollow cone spray nozzles in two piece body and swirl insert spiral grooves conduct liquid along a straight through axial flow line, producing an especially fine atomized spray.

Application :

- Cooling and cleaning of air / gas
- Dust Suppression
- Spray drying
- Filter cleaning
- Desuperheating



MODEL NO.	CONNECTION END			ORIFICE SIZE (mm)	FLOW CAPACITY IN LPM AT DIFFERENT PRESSURE VALUES								MATERIAL CODE		
	XB	XC	XD		Flow Capacity in GPM	Pressure [bar]								M1/M2	M3
60° SPRAY ANGLE	1/4" BSPP	3/8" BSPP	1/2" BSPP			40*psi	0.5	1.0	2.0	3.0	5.0	7.0	10.0	SS304/SS316	Brass
													G/A D IMENSION. MM		
													H	D	HEX
BH14.050	XB			1.1	0.15	0.25	0.35	0.50	0.61	0.79	0.94	1.12			
BH14.075	XB			1.1	0.23	0.375	0.53	0.75	0.92	1.19	1.40	1.68			
BH14.100	XB			1.4	0.31	0.5	0.71	1.00	1.22	1.58	1.87	2.24			
BH14.150	XB			1.4	0.46	0.75	1.06	1.50	1.84	2.37	2.81	3.35	XB		
BH14.200	XB			1.4	0.61	1.00	1.41	2.00	2.45	3.16	3.74	4.47	22	16.5	17
BH14.250	XB			1.4	0.77	1.25	1.77	2.50	3.06	3.95	4.68	5.59			
75 ° SPRAY ANGLE															
BH15.100		XC		2.2	0.31	0.5	0.71	1.00	1.22	1.58	1.87	2.24	XC		
BH15.150		XC		2.2	0.46	0.75	1.06	1.50	1.84	2.37	2.81	3.35	29	21.5	22
BH15.200		XC		2.2	0.61	1.00	1.41	2.00	2.45	3.16	3.74	4.47			
BH15.250		XC		2.2	0.77	1.25	1.77	2.50	3.06	3.95	4.68	5.59			
90 ° SPRAY ANGLE															
BH16.250		XC		2.2	0.77	1.25	1.77	2.50	3.06	3.95	4.68	5.59			
BH16.350		XC		2.2	1.07	1.75	2.47	3.50	4.29	5.53	6.55	7.83			
BH16.400		XC		2.2	1.23	2.00	2.83	4.00	4.90	6.32	7.48	8.94			
BH16.475		XC		2.2	1.46	2.37	3.36	4.75	5.82	7.51	8.89	10.62			
BH16.650		XC	XD	2.2	1.99	3.25	4.60	6.50	7.96	10.28	12.16	14.53			
BH16.800		XC	XD	2.2	2.45	4.00	5.66	8.00	9.80	12.65	14.97	17.89	XD		
BH26.100			XD	2.2	3.07	5.00	7.07	10.00	12.25	15.81	18.71	22.36	36	26.7	27
BH26.125			XD	2.2	3.83	6.25	8.84	12.50	15.31	19.76	23.39	27.95			
BH26.160			XD	2.4	4.90	8.00	11.31	16.00	19.60	25.30	29.93	35.78			

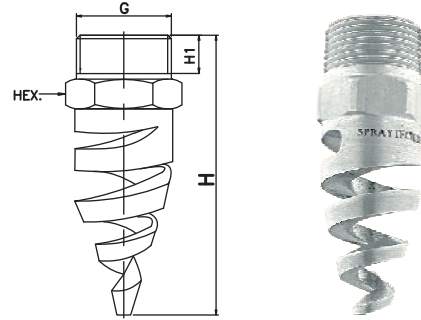
BI Series Hollow Cone Spray Nozzles

BI

Spiral Hollow cone Spray Nozzle have no internal parts and features large free passage for minimized clogging & fine droplets at a higher velocity.
Compact Nozzle design provide higher flow rates though smaller connection sizes.

Application :

Gas Scrubbers, Cooling Towers, Chemical processing.



MODEL NO.	CONNECTION END					ORIFICE SIZE (mm)	FLOW CAPACITY IN LPM AT DIFFERENT PRESSURE VALUES								MATERIAL CODE			
	YB	YC	YD	YE	YF		Flow Capacity in GPM	Pressure [bar]								M1/M2	M3	P1/P2
60° SPRAY ANGLE	1/4" BSPT	3/8" BSPT	1/2" BSPT	3/4" BSPT	1" BSPT			40°psi	0.5	1.0	2.0	3.0	5.0	7.0	10.0	SS304/SS316	Brass	PVC/PP
								G/A D IMENSION. MM								H	H1	HEX
BI14.650	YB					2.5	1.99	3.25	4.60	6.50	7.96	10.28	12.16	14.53	YB			
BI14.800	YB					2.8	2.45	4.00	5.66	8.00	9.80	12.65	14.97	17.89	48	10	14	
BI24.100	YB	YC				3.1	3.07	5.00	7.07	10.00	12.25	15.81	18.71	22.36				
BI24.125	YB	YC				3.5	3.83	6.25	8.84	12.50	15.31	19.76	23.39	27.95				
BI24.160		YC				4.0	4.90	8.00	11.31	16.00	19.60	25.30	29.93	35.78				
BI24.225		YC				4.7	6.90	11.25	15.91	22.50	27.56	35.58	42.09	50.31	YC			
BI24.250		YC				5.0	7.66	12.5	17.68	25.00	30.62	39.53	46.77	55.90	58	10	17	
BI24.320		YC				5.6	9.81	16.00	22.63	32.00	39.19	50.60	59.87	71.55				
BI24.400		YC				6.3	12.26	20.00	28.28	40.00	48.99	63.25	74.83	89.44				
BI24.520		YC	YD			7.2	15.94	26.00	36.77	52.00	63.69	82.22	97.28	116.28				
BI24.650			YD			8.0	19.92	32.5	45.96	65.00	79.61	102.77	121.60	145.34	YD			
BI24.800			YD			8.9	24.52	40.00	56.57	80.00	97.98	126.49	149.67	178.89	76	13.2	22	
BI34.100			YD	YE		10.0	30.65	50.00	70.71	100.0	122.47	158.11	187.08	223.61				
BI34.118				YE		10.8	36.17	59.00	83.44	118.0	144.52	186.57	220.76	263.86	YE			
BI34.130				YE		11.4	39.85	65.00	91.92	130.0	159.22	205.55	243.21	290.69	86	14.5	27	
BI34.160				YE		12.6	49.05	80.00	113.14	160.0	195.96	252.98	299.33	357.77				
BI34.200					YF	14.1	61.31	100	141.42	200.0	244.95	316.23	374.17	447.21				
BI34.227					YF	15.0	69.58	113.5	160.51	227.0	278.02	358.92	424.68	507.59	YF			
BI34.337					YF	18.3	103.0	168.5	238.29	337.0	412.74	532.84	630.47	753.55	108	16.8	36	

MODEL NO.	CONNECTION END					ORIFICE SIZE (mm)	FLOW CAPACITY IN LPM AT DIFFERENT PRESSURE VALUES								MATERIAL CODE			
	YB	YC	YD	YE	YF		Flow Capacity in GPM	Pressure [bar]								M1/M2	M3	P1/P2
90° SPRAY ANGLE	1/4" BSPT	3/8" BSPT	1/2" BSPT	3/4" BSPT	1" BSPT			40°psi	0.5	1.0	2.0	3.0	5.0	7.0	10.0	SS304/SS316	Brass	PVC/PP
								G/A D IMENSION. MM								H	H1	HEX
BI16.650	YB					2.5	1.99	3.25	4.60	6.50	7.96	10.28	12.16	14.53	YB			
BI16.800	YB					2.8	2.45	4.00	5.66	8.00	9.80	12.65	14.97	17.89	48	10	14	
BI26.100	YB	YC				3.1	3.07	5.00	7.07	10.00	12.25	15.81	18.71	22.36				
BI26.125	YB	YC				3.5	3.83	6.25	8.84	12.50	15.31	19.76	23.39	27.95				
BI26.160		YC				4.0	4.90	8.00	11.31	16.00	19.60	25.30	29.93	35.78				
BI26.225		YC				4.7	6.90	11.25	15.91	22.50	27.56	35.58	42.09	50.31	YC			
BI26.250		YC				5.0	7.66	12.5	17.68	25.00	30.62	39.53	46.77	55.90	58	10	17	
BI26.320		YC				5.6	9.81	16.00	22.63	32.00	39.19	50.60	59.87	71.55				
BI26.400		YC				6.3	12.26	20.00	28.28	40.00	48.99	63.25	74.83	89.44				
BI26.520		YC	YD			7.2	15.94	26.00	36.77	52.00	63.69	82.22	97.28	116.28				
BI26.650			YD			8.0	19.92	32.5	45.96	65.00	79.61	102.77	121.60	145.34	YD			
BI26.800			YD			8.9	24.52	40.00	56.57	80.00	97.98	126.49	149.67	178.89	76	13.2	22	
BI36.100			YD	YE		10.0	30.65	50.00	70.71	100.0	122.47	158.11	187.08	223.61				
BI36.118				YE		10.8	36.17	59.00	83.44	118.0	144.52	186.57	220.76	263.86	YE			
BI36.130				YE		11.4	39.85	65.00	91.92	130.0	159.22	205.55	243.21	290.69	86	14.5	27	
BI36.160				YE		12.6	49.05	80.00	113.14	160.0	195.96	252.98	299.33	357.77				
BI36.200					YF	14.1	61.31	100	141.42	200.0	244.95	316.23	374.17	447.21				
BI36.227					YF	15.0	69.58	113.5	160.51	227.0	278.02	358.92	424.68	507.59	YF			
BI36.337					YF	18.3	103.30	168.5	238.29	337.0	412.74	532.84	630.47	753.55	108	16.8	36	

BI Series Hollow Cone Spray Nozzles

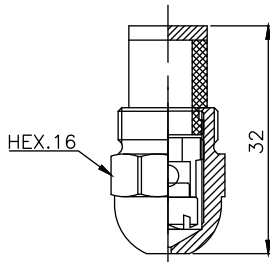
BI

MODEL NO.	CONNECTION END					ORIFICE SIZE (mm)	FLOW CAPACITY IN LPM AT DIFFERENT PRESSURE VALUES								MATERIAL CODE		
	YB	YC	YD	YE	YF		Flow Capacity in GPM	Pressure [bar]							M1/M2	M3	P1/P2
120° SPRAY ANGLE	1/4" BSPT	3/8" BSPT	1/2" BSPT	3/4" BSPT	1" BSPT			40*psi	0.5	1.0	2.0	3.0	5.0	7.0	10.0	SS304/SS316	Brass
															G/A D IMENSION. MM		
															H	H1	HEX
BI18.650	YB					2.5	1.99	3.25	4.60	6.50	7.96	10.28	12.16	14.53	YB		
BI18.800	YB					2.8	2.45	4.00	5.66	8.00	9.80	12.65	14.97	17.89	48	10	14
BI28.100	YB	YC				3.1	3.07	5.00	7.07	10.00	12.25	15.81	18.71	22.36			
BI28.125	YB	YC				3.5	3.83	6.25	8.84	12.50	15.31	19.76	23.39	27.95			
BI28.160		YC				4.0	4.90	8.00	11.31	16.00	19.60	25.30	29.93	35.78			
BI28.225		YC				4.7	6.90	11.25	15.91	22.50	27.56	35.58	42.09	50.31	YC		
BI28.250		YC				5.0	7.66	12.5	17.68	25.00	30.62	39.53	46.77	55.90	58	10	17
BI28.320		YC				5.6	9.81	16.00	22.63	32.00	39.19	50.60	59.87	71.55			
BI28.400		YC				6.3	12.26	20.00	28.28	40.00	48.99	63.25	74.83	89.44			
BI28.520		YC	YD			7.2	15.94	26.00	36.77	52.00	63.69	82.22	97.28	116.28			
BI28.650			YD			8.0	19.92	32.5	45.96	65.00	79.61	102.77	121.60	145.34	YD		
BI28.800			YD			8.9	24.52	40.00	56.57	80.00	97.98	126.49	149.67	178.89	76	13.2	22
BI38.100			YD	YE		10.0	30.65	50.00	70.71	100.0	122.47	158.11	187.08	223.61			
BI38.118				YE		10.8	36.17	59.00	83.44	118.0	144.52	186.57	220.76	263.86	YE		
BI38.130				YE		11.4	39.85	65.00	91.92	130.0	159.22	205.55	243.21	290.69	86	14.5	27
BI38.160				YE		12.6	49.05	80.00	113.14	160.0	195.96	252.98	299.33	357.77			
BI38.200					YF	14.1	61.31	100	141.42	200.0	244.95	316.23	374.17	447.21			
BI38.227					YF	15.0	69.58	113.5	160.51	227.0	278.02	358.92	424.68	507.59	YF		
BI38.337					YF	18.3	103.30	168.5	238.29	337.0	412.74	532.84	630.47	753.55	108	16.8	36

MODEL NO.	CONNECTION END					ORIFICE SIZE (mm)	FLOW CAPACITY IN LPM AT DIFFERENT PRESSURE VALUES								MATERIAL CODE		
	YB	YC	YD	YE	YF		Flow Capacity in GPM	Pressure [bar]							M1/M2	M3	P1/P2
180° SPRAY ANGLE	1/4" BSPT	3/8" BSPT	1/2" BSPT	3/4" BSPT	1" BSPT			40*psi	0.5	1.0	2.0	3.0	5.0	7.0	10.0	SS304/SS316	Brass
															G/A D IMENSION. MM		
															H	H1	HEX
BI19.650	YB					2.5	1.99	3.25	4.60	6.50	7.96	10.28	12.16	14.53	YB		
BI19.800	YB					2.8	2.45	4.00	5.66	8.00	9.80	12.65	14.97	17.89	48	10	14
BI29.100	YB	YC				3.1	3.07	5.00	7.07	10.00	12.25	15.81	18.71	22.36			
BI29.125	YB	YC				3.5	3.83	6.25	8.84	12.50	15.31	19.76	23.39	27.95			
BI29.160		YC				4.0	4.90	8.00	11.31	16.00	19.60	25.30	29.93	35.78	YC		
BI29.225		YC				4.7	6.90	11.25	15.91	22.50	27.56	35.58	42.09	50.31	58	10	17
BI29.250		YC				5.0	7.66	12.5	17.68	25.00	30.62	39.53	46.77	55.90			
BI29.320		YC				5.6	9.81	16.00	22.63	32.00	39.19	50.60	59.87	71.55			
BI29.400		YC				6.3	12.26	20.00	28.28	40.00	48.99	63.25	74.83	89.44			
BI29.520		YC	YD			7.2	15.94	26.00	36.77	52.00	63.69	82.22	97.28	116.28	YD		
BI29.650			YD			8.0	19.92	32.5	45.96	65.00	79.61	102.77	121.60	145.34	76	13.2	22
BI29.800			YD			8.9	24.52	40.00	56.57	80.00	97.98	126.49	149.67	178.89			
BI39.100			YD	YE		10.0	30.65	50.00	70.71	100.0	122.47	158.11	187.08	223.61	YE		
BI39.118				YE		10.8	36.17	59.00	83.44	118.0	144.52	186.57	220.76	263.86	86	14.5	27
BI39.130				YE		11.4	39.85	65.00	91.92	130.0	159.22	205.55	243.21	290.69			
BI39.160				YE		12.6	49.05	80.00	113.14	160.0	195.96	252.98	299.33	357.77			
BI39.200					YF	14.1	61.31	100	141.42	200.0	244.95	316.23	374.17	447.21	YF		
BI39.227					YF	15.0	69.58	113.5	160.51	227.0	278.02	358.92	424.68	507.59	108	16.8	36
BI39.337					YF	18.3	103.30	168.5	238.29	337.0	412.74	532.84	630.47	753.55			

BK Series Hollow Cone Spray Nozzles

BK



Oil Burner Spray Nozzles

Oil burner nozzles are available in semi hollow cone spray pattern. Micro-finish of tip & disc seats permitting flow only through the slots of the disc, plus extremely close manufacturing tolerances, ensure accurate capacity control. These nozzles are fitted with filter in order to provide highly efficient in depth filtration with one piece construction extra fine filter microns are supplied as standard on all small capacity nozzles.

Application :-

LDO firing in kilns of cement, sponge, Iron plants & Dust suppression.

G	L1	L2	HEX
9/16	7 mm	20.5 mm	16 mm
With Filter	7 mm	32 mm	16 mm

Nozzle Series	45	60	70	80	90
SEMI HOLLOW	2.50 to 9.50	2.50 to 30.00	2.50 to 60.00	2.50 to 100.00	2.50 to 50.00
HOLLOW	2.50 to 9.50	2.50 to 30.00	2.50 to 50.00	2.50 to 50.00	2.50 to 9.50

Range :-

Spray Angle : 45°, 60°, 70°, 80°, 90°
 Connection : UNEF 9/16"
 M. O. C. : SS303

Capacity in US GPH @ 100 psi	Flow Rate (GPH) @ Various Pressure (psi)					
	75	100	125	150	175	200
2.50	2.16	2.50	2.80	3.06	3.30	3.54
3.00	2.59	3.00	3.35	3.68	3.97	4.25
3.50	3.03	3.50	3.91	4.29	4.63	4.95
4.00	3.46	4.00	4.47	4.90	5.30	5.66
4.50	3.90	4.50	5.04	5.51	5.95	6.36
5.00	4.33	5.00	5.59	6.13	6.61	7.07
5.50	4.76	5.50	6.15	6.74	7.27	7.78
6.00	5.19	6.00	6.71	7.33	7.94	8.48
6.50	5.63	6.50	7.26	7.96	8.60	9.20
7.00	6.05	7.00	7.82	8.58	9.25	9.90
7.50	6.49	7.50	8.38	9.19	9.91	10.60
8.00	6.93	8.00	8.94	9.80	10.58	11.31
8.50	7.36	8.50	9.50	10.45	11.27	12.08
9.00	7.79	9.00	10.06	11.02	11.91	12.73
9.50	8.22	9.50	10.60	11.70	12.60	13.50
10.50	9.10	10.50	11.70	12.90	13.90	14.90
12.00	10.40	12.00	13.40	14.70	15.90	17.00
13.50	11.65	13.50	15.07	16.53	17.90	19.17
15.50	13.37	15.50	17.33	18.95	20.56	21.89
17.50	15.10	17.50	19.60	21.40	23.20	24.80
19.50	16.90	19.50	21.80	23.90	25.80	27.60
21.50	18.60	21.50	24.00	26.40	28.40	30.40
24.00	20.80	24.00	26.80	29.40	31.80	34.00
28.00	24.20	28.00	31.30	34.30	37.00	39.60
30.00	26.00	30.00	33.60	36.80	39.70	42.50
35.00	30.30	35.00	39.10	42.90	46.30	49.50
40.00	34.60	40.00	44.70	49.00	53.00	56.50
45.00	39.00	45.00	50.40	55.20	59.50	63.70
50.00	43.30	50.00	55.90	61.30	66.10	70.70
55.00	47.60	55.00	61.50	67.40	72.70	77.70
60.00	52.00	60.00	67.00	73.50	79.40	84.00
70.00	60.60	70.00	78.20	85.70	92.50	99.00
80.00	69.20	80.00	89.40	98.00	106.00	113.50
90.00	77.90	90.00	100.90	110.50	119.20	127.50
100.00	86.50	100.00	111.90	122.50	132.30	141.40

• Special Material on Request