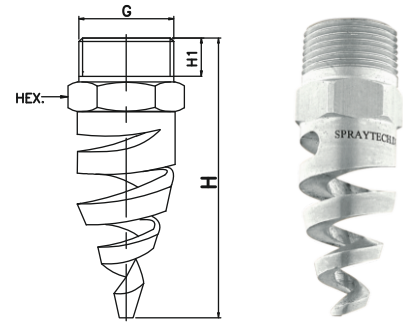


BI Series Hollow Cone Spray Nozzles



Spiral Hollow cone Spray Nozzle have no internal parts and features large free passage for minimized clogging & fine droplets at a higher velocity. Compact Nozzle design provide higher flow rates though smaller connection sizes.



Application :

Gas Scrubbers, Cooling Towers, Chemical processing.

60° SPRAY ANGLE	CONNECTION END					ORIFICE SIZE (mm)	FLOW CAPACITY IN LPM AT DIFFERENT PRESSURE							G/A DIMENSION. MM			
	1/4"	3/8"	1/2"	3/4"	1"		PRESSURE [BAR]							CONN.	H	H1	HEX
MODEL NO.	BSP	BSP	BSP	BSP	BSP		0.5	1.0	2.0	3.0	5.0	7.0	10.0	1/4"	48	10	14
BI14.650	●					2.5	3.25	4.60	6.50	7.96	10.28	12.16	14.53	Weight (Metals) = XX gms. Approx			
BI14.800	●					2.8	4.00	5.66	8.00	9.80	12.65	14.97	17.89	3/8" 58 10 17			
BI24.100	●	●				3.1	5.00	7.07	10.00	12.25	15.81	18.71	22.36	Weight (Metals) = XX gms. Approx			
BI24.125	●	●				3.5	6.25	8.84	12.50	15.31	19.76	23.39	27.95	1/2" 76 13.2 22			
BI24.160		●				4.0	8.00	11.31	16.00	19.60	25.30	29.93	35.78	Weight (Metals) = XX gms. Approx			
BI24.225		●				4.7	11.25	15.91	22.50	27.56	35.58	42.09	50.31	3/4" 86 14.5 27			
BI24.250		●				5.0	12.5	17.68	25.00	30.62	39.53	46.77	55.90	Weight (Metals) = XX gms. Approx			
BI24.320		●				5.6	16.00	22.63	32.00	39.19	50.60	59.87	71.55				
BI24.400		●				6.3	20.00	28.28	40.00	48.99	63.25	74.83	89.44				
BI24.520		●	●			7.2	26.00	36.77	52.00	63.69	82.22	97.28	116.28				
BI24.650			●			8.0	32.5	45.96	65.00	79.61	102.77	121.60	145.34				
BI24.800			●			8.9	40.00	56.57	80.00	97.98	126.49	149.67	178.89				
BI34.100			●	●		10.0	50.00	70.71	100.0	122.47	158.11	187.08	223.61				
BI34.118				●		10.8	59.00	83.44	118.0	144.52	186.57	220.76	263.86				
BI34.130				●		11.4	65.00	91.92	130.0	159.22	205.55	243.21	290.69				
BI34.160				●		12.6	80.00	113.14	160.0	195.96	252.98	299.33	357.77				
BI34.200					●	14.1	100	141.42	200.0	244.95	316.23	374.17	447.21				
BI34.227					●	15.0	113.5	160.51	227.0	278.02	358.92	424.68	507.59				
BI34.337					●	18.3	168.5	238.29	337.0	412.74	532.84	630.47	753.55	1"	108	16.8	36

90° SPRAY ANGLE	CONNECTION END					ORIFICE SIZE (mm)	FLOW CAPACITY IN LPM AT DIFFERENT PRESSURE							G/A DIMENSION. MM			
	1/4"	3/8"	1/2"	3/4"	1"		PRESSURE [BAR]							CONN.	H	H1	HEX
MODEL NO.	BSP	BSP	BSP	BSP	BSP		0.5	1.0	2.0	3.0	5.0	7.0	10.0	1/4"	48	10	14
BI16.650	●					2.5	3.25	4.60	6.50	7.96	10.28	12.16	14.53	Weight (Metals) = 27.0 gms. Approx			
BI16.800	●					2.8	4.00	5.66	8.00	9.80	12.65	14.97	17.89	3/8" 58 10 17			
BI26.100	●	●				3.1	5.00	7.07	10.00	12.25	15.81	18.71	22.36	Weight (Metals) = 53.7 gms. Approx			
BI26.125	●	●				3.5	6.25	8.84	12.50	15.31	19.76	23.39	27.95	1/2" 76 13.2 22			
BI26.160		●				4.0	8.00	11.31	16.00	19.60	25.30	29.93	35.78	Weight (Metals) = 53.7 gms. Approx			
BI26.225		●				4.7	11.25	15.91	22.50	27.56	35.58	42.09	50.31	3/4" 86 14.5 27			
BI26.250		●				5.0	12.5	17.68	25.00	30.62	39.53	46.77	55.90	Weight (Metals) = 170.0 gms. Approx			
BI26.320		●				5.6	16.00	22.63	32.00	39.19	50.60	59.87	71.55				
BI26.400		●				6.3	20.00	28.28	40.00	48.99	63.25	74.83	89.44	1" 108 16.8 36			
BI26.520		●	●			7.2	26.00	36.77	52.00	63.69	82.22	97.28	116.28	Weight (Metals) = 170.0 gms. Approx			
BI26.650			●			8.0	32.5	45.96	65.00	79.61	102.77	121.60	145.34				
BI26.800			●			8.9	40.00	56.57	80.00	97.98	126.49	149.67	178.89				
BI36.100			●	●		10.0	50.00	70.71	100.0	122.47	158.11	187.08	223.61				
BI36.118				●		10.8	59.00	83.44	118.0	144.52	186.57	220.76	263.86				
BI36.130				●		11.4	65.00	91.92	130.0	159.22	205.55	243.21	290.69				
BI36.160				●		12.6	80.00	113.14	160.0	195.96	252.98	299.33	357.77				
BI36.200					●	14.1	100	141.42	200.0	244.95	316.23	374.17	447.21				
BI36.227					●	15.0	113.5	160.51	227.0	278.02	358.92	424.68	507.59				
BI36.337					●	18.3	168.5	238.29	337.0	412.74	532.84	630.47	753.55				

End Connection : X – BSP, Y - BSPT, Z – NPT Available.

BI Series Hollow Cone Spray Nozzles

120° SPRAY ANGLE	CONNECTION END					ORIFICE SIZE (mm)	FLOW CAPACITY IN LPM AT DIFFERENT PRESSURE VALUES							G/A DIMENSION. MM			
	1/4"	3/8"	1/2"	3/4"	1"		Pressure [bar]										
MODEL NO.	BSP	BSP	BSP	BSP	BSP		0.5	1.0	2.0	3.0	5.0	7.0	10.0	CONN.	H	H1	HEX
BI18.650	●					2.5	3.25	4.60	6.50	7.96	10.28	12.16	14.53	1/4"	48	10	14
BI18.800	●					2.8	4.00	5.66	8.00	9.80	12.65	14.97	17.89	Weight (Metals) = XX gms. Approx			
BI28.100	●	●				3.1	5.00	7.07	10.00	12.25	15.81	18.71	22.36	3/8"	58	10	17
BI28.125	●	●				3.5	6.25	8.84	12.50	15.31	19.76	23.39	27.95	Weight (Metals) = XX gms. Approx			
BI28.160		●				4.0	8.00	11.31	16.00	19.60	25.30	29.93	35.78	1/2"	76	13.2	22
BI28.225		●				4.7	11.25	15.91	22.50	27.56	35.58	42.09	50.31	Weight (Metals) = XX gms. Approx			
BI28.250		●				5.0	12.5	17.68	25.00	30.62	39.53	46.77	55.90	3/4"	86	14.5	27
BI28.320		●				5.6	16.00	22.63	32.00	39.19	50.60	59.87	71.55	Weight (Metals) = XX gms. Approx			
BI28.400		●				6.3	20.00	28.28	40.00	48.99	63.25	74.83	89.44	1"	108	16.8	36
BI28.520		●	●			7.2	26.00	36.77	52.00	63.69	82.22	97.28	116.28	Weight (Metals) = XX gms. Approx			
BI28.650			●			8.0	32.5	45.96	65.00	79.61	102.77	121.60	145.34				
BI28.800			●			8.9	40.00	56.57	80.00	97.98	126.49	149.67	178.89				
BI38.100			●	●		10.0	50.00	70.71	100.0	122.47	158.11	187.08	223.61				
BI38.118				●		10.8	59.00	83.44	118.0	144.52	186.57	220.76	263.86				
BI38.130				●		11.4	65.00	91.92	130.0	159.22	205.55	243.21	290.69				
BI38.160				●		12.6	80.00	113.14	160.0	195.96	252.98	299.33	357.77				
BI38.200					●	14.1	100	141.42	200.0	244.95	316.23	374.17	447.21				
BI38.227					●	15.0	113.5	160.51	227.0	278.02	358.92	424.68	507.59				
BI38.337					●	18.3	168.5	238.29	337.0	412.74	532.84	630.47	753.55				

180° SPRAY ANGLE	CONNECTION END					ORIFICE SIZE (mm)	FLOW CAPACITY IN LPM AT DIFFERENT PRESSURE							G/A DIMENSION. MM			
	1/4"	3/8"	1/2"	3/4"	1"		PRESSURE [BAR]										
MODEL NO.	BSP	BSP	BSP	BSP	BSP		0.5	1.0	2.0	3.0	5.0	7.0	10.0	CONN.	H	H1	HEX
BI19.650	●					2.5	3.25	4.60	6.50	7.96	10.28	12.16	14.53	1/4"	48	10	14
BI19.800	●					2.8	4.00	5.66	8.00	9.80	12.65	14.97	17.89	Weight (Metals) = XX gms. Approx			
BI29.100	●	●				3.1	5.00	7.07	10.00	12.25	15.81	18.71	22.36	3/8"	58	10	17
BI29.125	●	●				3.5	6.25	8.84	12.50	15.31	19.76	23.39	27.95	Weight (Metals) = XX gms. Approx			
BI29.160		●				4.0	8.00	11.31	16.00	19.60	25.30	29.93	35.78	1/2"	76	13.2	22
BI29.225		●				4.7	11.25	15.91	22.50	27.56	35.58	42.09	50.31	Weight (Metals) = XX gms. Approx			
BI29.250		●				5.0	12.5	17.68	25.00	30.62	39.53	46.77	55.90	3/4"	86	14.5	27
BI29.320		●				5.6	16.00	22.63	32.00	39.19	50.60	59.87	71.55	Weight (Metals) = XX gms. Approx			
BI29.400		●				6.3	20.00	28.28	40.00	48.99	63.25	74.83	89.44	1"	108	16.8	36
BI29.520		●	●			7.2	26.00	36.77	52.00	63.69	82.22	97.28	116.28	Weight (Metals) = XX gms. Approx			
BI29.650			●			8.0	32.5	45.96	65.00	79.61	102.77	121.60	145.34				
BI29.800			●			8.9	40.00	56.57	80.00	97.98	126.49	149.67	178.89				
BI39.100			●	●		10.0	50.00	70.71	100.0	122.47	158.11	187.08	223.61				
BI39.118				●		10.8	59.00	83.44	118.0	144.52	186.57	220.76	263.86				
BI39.130				●		11.4	65.00	91.92	130.0	159.22	205.55	243.21	290.69				
BI39.160				●		12.6	80.00	113.14	160.0	195.96	252.98	299.33	357.77				
BI39.200					●	14.1	100	141.42	200.0	244.95	316.23	374.17	447.21				
BI39.227					●	15.0	113.5	160.51	227.0	278.02	358.92	424.68	507.59				
BI39.337					●	18.3	168.5	238.29	337.0	412.74	532.84	630.47	753.55				

End Connection : X – BSP, Y - BSPT, Z – NPT Available.