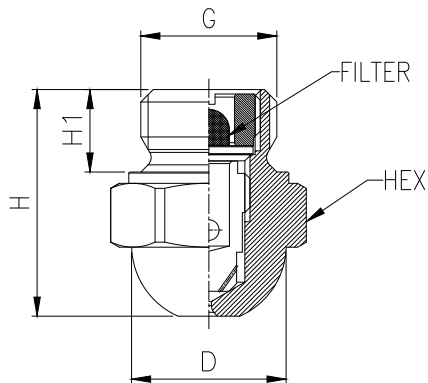


BKB Series Hollow Cone Spray Nozzles

BKB



BKB series nozzles provide very fine mist and are available with low flow rates. Best suitable for mist spray application.

Application :

- Humidification
- Cooling
- Disinfection
- Chemical Engineering
- Adiabatic Cooling

Range :

- FLOW RANGE : 0.030 LPM To 0.390 LPM
- SPRAY ANGLE : 60° & 90°
- MATERIAL : SS303, SS316L
- END CONNECTION : 1/4" BSPP (M)

MODEL NO.		FLOW RATE (LPM) AT VARIOUS PRESSURE (BAR)								G/A DIMENSION. MM				
60° SPRAY ANGLE	90° SPRAY ANGLE	2	3	5	7	10	20	50	100	CONN.	H	H1	∅D	HEX
BKB14.030	BKB16.030	0.019	0.023	0.030	0.035	0.042	0.060	0.095	0.134	1/4"	22.0	8.0	15.0	17.0
BKB14.040	BKB16.040	0.025	0.031	0.040	0.047	0.057	0.080	0.126	0.179	1/4" Weight (Metals) = 28 gms. Approx				
BKB14.060	BKB16.060	0.038	0.046	0.060	0.071	0.085	0.120	0.190	0.268					
BKB14.080	BKB16.080	0.051	0.062	0.080	0.095	0.113	0.160	0.253	0.358					
BKB14.100	BKB16.100	0.063	0.077	0.100	0.118	0.141	0.200	0.316	0.447					
BKB14.130	BKB16.130	0.082	0.101	0.130	0.154	0.184	0.260	0.411	0.581					
BKB14.170	BKB16.170	0.108	0.132	0.170	0.201	0.240	0.340	0.538	0.760					
BKB14.260	BKB16.260	0.164	0.201	0.260	0.308	0.368	0.520	0.822	1.163					
BKB14.390	BKB16.390	0.247	0.302	0.390	0.461	0.552	0.780	1.233	1.744					

MATERIAL NO	HOUSING	NOZZLE INSERT	FILTER
M1	SS 303	SS 303	SS 303
M2	SS 316L	SS 316L	SS 316L